



**Thank you for purchasing this ALPHA COMPETITION product for your car!**

Installation of this product should only be performed by persons experienced with installation of aftermarket performance parts and proper operation of high performance vehicles. If vehicle needs to be raised off the ground for installation, the installer must use proper jacks, jack-stands and/or a professional vehicle hoist for safety of the installer and to protect property. If the vehicle is lifted improperly, serious injury or death may occur! Please read through all instructions before performing any portion of installation. If you have any questions, please contact our tech department prior to starting installation. We can be reached by the following email:

support@alpha-competition.com

### **GENERAL MODIFICATION NOTE**

Modifications to any vehicle can change the handling and performance. As with any vehicle extreme care must be used to prevent loss of control or roll-over during sharp turns or abrupt maneuvers. Always wear seat belts, and drive safely, recognizing that reduced speeds and specialized driving techniques may be required. Failure to drive a vehicle safely may result in serious injury or death. Do not drive a vehicle unless you are familiar with its unique handling characteristics and are confident of your ability to maintain control under all driving conditions. Some modifications (and combinations of modifications) are not recommended and may not be permitted in your country.

Consult the owner's manual, service manual, instructions accompanying these products, and local laws before purchasing and installing these modifications.

**You are responsible for the legality and safety of the vehicle you modify using these components!**



## **ALPHA COMPETITION Oil Sandwich Plate**

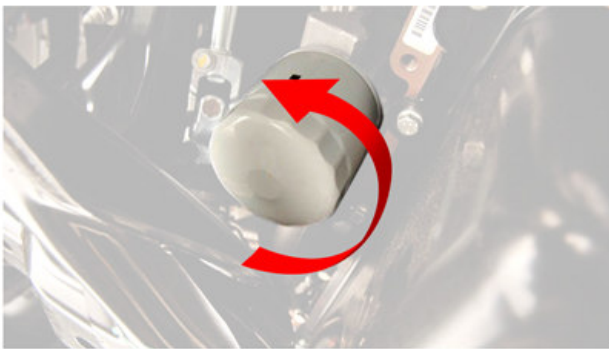
### **Installation instructions**

- Park vehicle on level surface, engage parking brake and turn off engine. If necessary, raise front of vehicle by driving it onto a ramp or by jacking it up and supporting it with jack stands. **CAUTION: NEVER GET UNDER A VEHICLE SUPPORTED ONLY BY A JACK!**

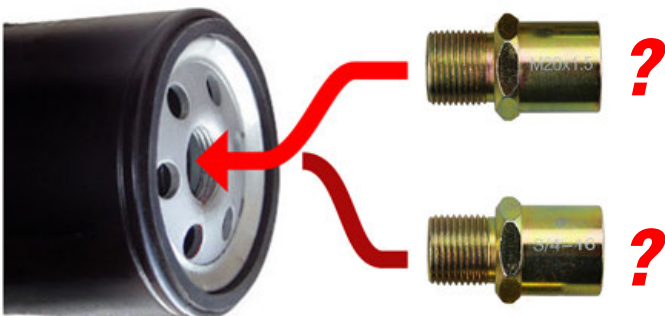
- Locate the oil filter and position an oil catch pan under oil filter to catch any residual oil remaining inside filter. (img 1)

- Loosen the oil filter with oil filter wrench, and allow the oil to drain from the oil filter. Remove the oil filter and check to make sure the filter gasket has come off with the filter. If it's still clinging to the engine mounting plate, remove it and any remaining residue. (img 1)

- Check which one of the 2 thread adapters included in the ALPHA COMPETITION Oil Sandwich Plate adapter kit is the correct one for your car. Test both of them in your oil filter to find the correct thread adapter to use M20x15 or 3/4-16 UNF (img 2)



img 1



img 2



img 3

- Install any or all 1.8 NPT sensor senders or oil lines onto the ALPHA COMPETITION oil sandwich plate prior to installing plate onto the engine. Sensor senders must be installed using a LOCTITE Blue or Silicone Sealant / Tape. (img 3)

- Sensor senders must be correctly tighten but the thread does not need to be fully screwed into the plate. Use the included bungs to plug the unused holes using LOCTITE Blue or Silicone Sealant to install like it's done with sensor senders. (img 3)

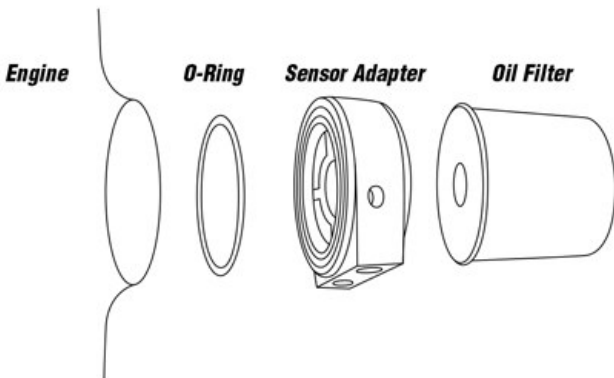
- Slip the ALPHA COMPETITION Oil Sandwich Plate onto the engine. Be sure to have the rubber O-ring on the Sandwich Plate against the engine. Slide center bolt through the middle of the Oil Sandwich Plate and thread onto the engine. Be sure to move wiring or oil lines as needed. Torque center bolt to 25ft lbs. If a torque wrench is not available, make sure the center bolt is nice and tight. (img 4)



img 4

- Install replacement oil filter onto center bolt and tighten. Fill engine with replacement oil according your car user manual instructions. Start vehicle and check for leaks. If leaks are present, remove oil sandwich plate and confirm that everything has been installed correctly.

- With every oil change, be sure to re-torque the ALPHA COMPETITION Oil Sandwich Plate center bolt as removing the oil filter may loosen it over time.



img 5



img 6