



# GT-R Factory Fuel Rail Removal Instructions

The goal of AMS is to provide the highest quality, best performing products available. By utilizing research and development, and rigorous testing programs AMS will never compromise the quality or performance of our products. In addition, AMS will only provide the finest customer service offering only parts and advice that are in the best interests of the customer. AMS was built on a foundation of integrity. This is who we are; this is what you can count on.

A vehicle modified by the use of performance parts may not meet the legal requirements for use on public roads. Federal and state laws prohibit the removal, modification, or rendering inoperative of any part or element of design affecting emissions or safety on motor vehicles used for transporting persons or property on public streets or highways. Use or installation of performance parts may adversely affect the drivability and reliability of your vehicle, and may also affect or eliminate your insurance coverage, factory warranty, and/or new OEM part warranty. Performance parts are sold as-is without any warranty of any type. There is no warranty stated or implied due to the stresses placed on your vehicle by performance parts and our inability to monitor their use, tuning, or modification.

These instructions are provided as a guide only as there are many variables that cannot be accounted for concerning your particular vehicle, including but not limited to model year differences, model differences, the presence of non-OEM parts, and modifications that may already be or were previously installed. A basic knowledge of automotive parts and systems is helpful but a better understanding of the parts and systems on your particular vehicle may be required.

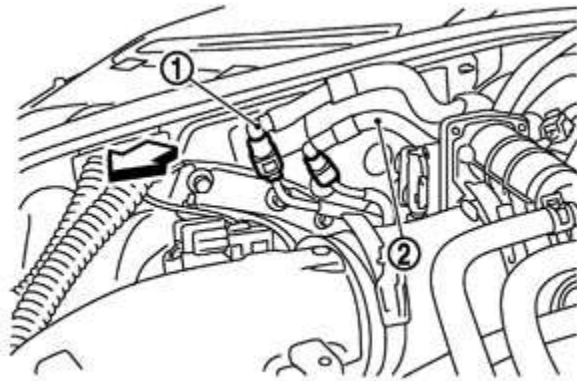
If you have any questions or issues at any time during the installation of your AMS product(s) please call us for technical assistance. The AMS tech line can be reached during business hours at 847-709-0530 for AMS products only.

**These are modified instructions from the GTR factory service manual.**

**■ WARNING ■**

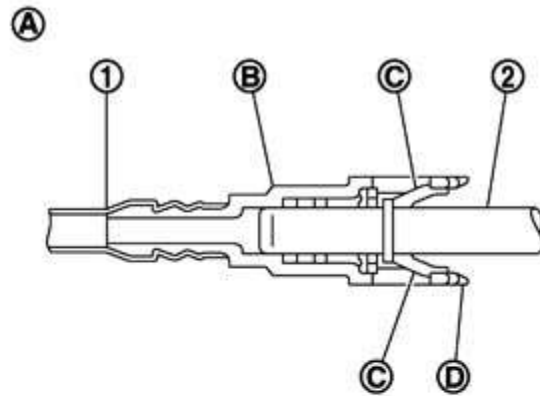
- **Put a “CAUTION: FLAMMABLE” sign in the workshop.**
- **Be sure to work in a well ventilated area and furnish workshop with a CO<sub>2</sub> fire extinguisher.**
- **Never smoke while servicing fuel system. Keep open flames and sparks away from the work area.**
- **To avoid the danger of being scalded, never drain engine coolant when the engine is hot.**

1. Release fuel pressure.
2. Remove engine cover with power tool.
3. Disconnect fuel feed hose (with damper) (1) and fuel return hose (with damper) (2) from centralized under-floor piping connection, disconnect quick connector as follows:

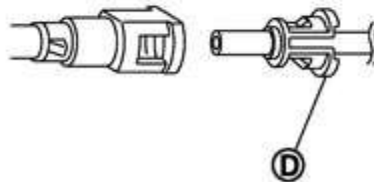


**VES**  
performance.com

(1) Push in retainer (D).



(E)



1 : Fuel hose

A : Connection (Cross-section)

C : Tabs

E : Disconnection

(2) Draw and pull out quick connector (B) straight from centralized under-floor piping (2).

### ■ CAUTION ■

- **Keep parts away from heat source. Especially, be careful when welding is performed around them.**
- **Never expose parts to battery electrolyte or other acids.**
- **Never pull with lateral force applied. O-ring inside quick connector may be damaged.**
- **Never remove the remaining retainer.**
- **Never bend or twist connection between quick connector and fuel hose during installation/removal.**
- **When centralized under-floor piping is replaced, also replace retainer with a new one.**

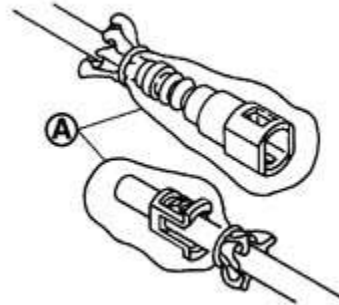
Retainer color

Feed side : Yellow

Return side : Light blue

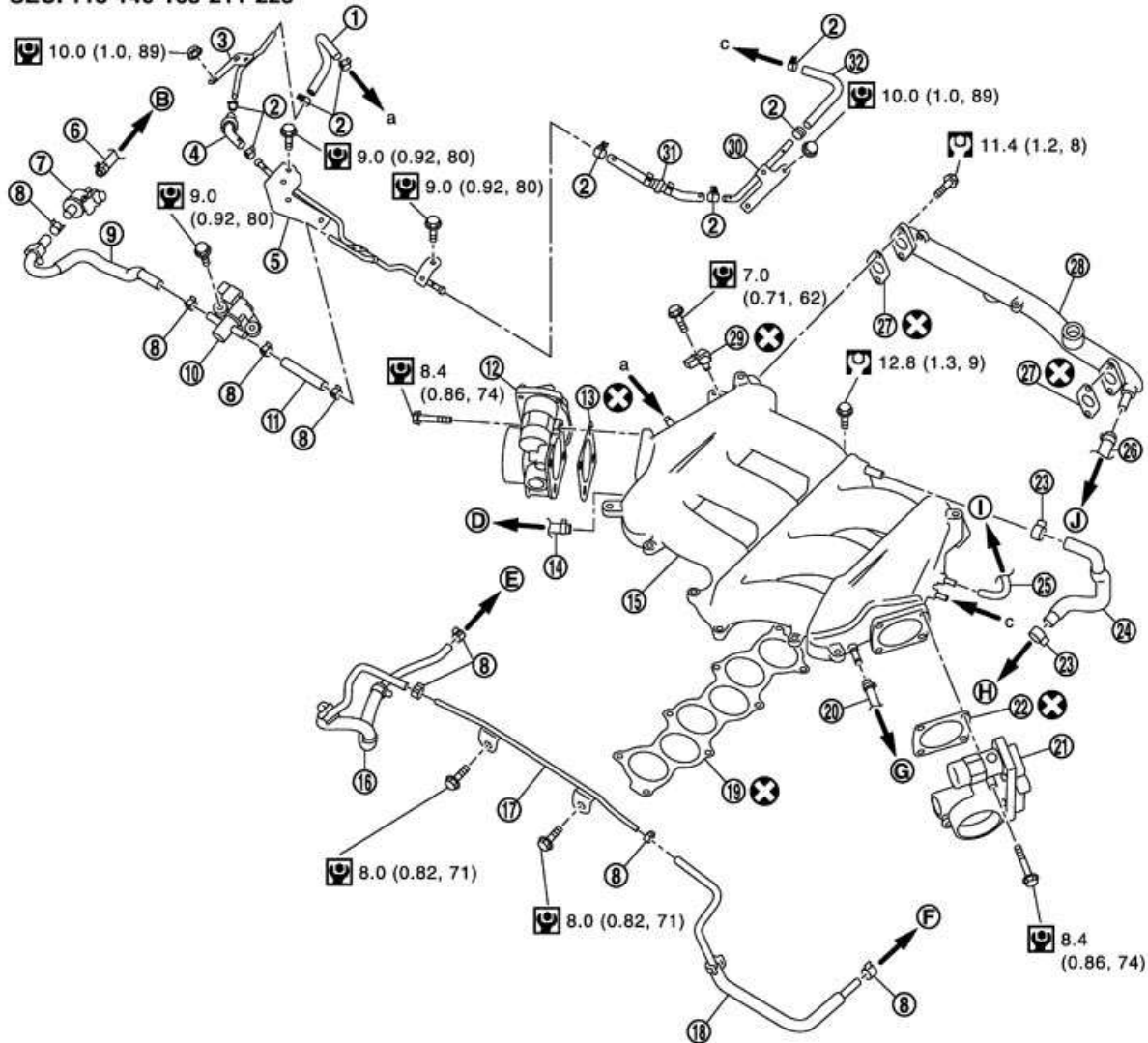
▪

- To keep clean the connecting portion and to avoid damage and foreign materials, cover them completely with plastic bags, etc. (A) or something similar.



4. Remove intake manifold collector. Refer to Exploded View.

SEC. 118•140•163•211•223



- |  |   |   |
|--|---|---|
| 1. EVAP hose                                   | 2. Clamp                                    | 3. EVAP tube (bank 1)                           |
| 4. EVAP connector hose                         | 5. EVAP tube (front)                        | 6. EVAP hose                                    |
| 7. Vacuum tank (service port)                  | 8. Clamp                                    | 9. EVAP hose                                    |
| 10. EVAP canister purge control solenoid valve | 11. EVAP hose                               | 12. Electric throttle control actuator (bank 1) |
| 13. Gasket                                     | 14. Vacuum hose                             | 15. Intake manifold collector                   |
| 16. Vacuum hose                                | 17. Vacuum tube assembly                    | 18. Vacuum hose                                 |
| 19. Gasket                                     | 20. Vacuum hose                             | 21. Electric throttle control actuator (bank 2) |
| 22. Gasket                                     | 23. Clamp                                   | 24. PCV hose                                    |
| 25. Vacuum hose                                | 26. Vacuum hose                             | 27. Gasket                                      |
| 28. Balance tube                               | 29. Manifold absolute pressure (MAP) sensor | 30. EVAP tube (bank 2)                          |
| 31. EVAP connector hose                        | 32. EVAP hose                               |   |
- B. To centralized under-floor piping      D. To recirculation valve (bank 1)  
 F. To turbocharger boost control solenoid valve      G. To recirculation valve (bank 2)  
 I. To pressure regulator and fuel hose assembly      J. To brake booster
- Refer to Components for symbols in the figure.

■ CAUTION ■

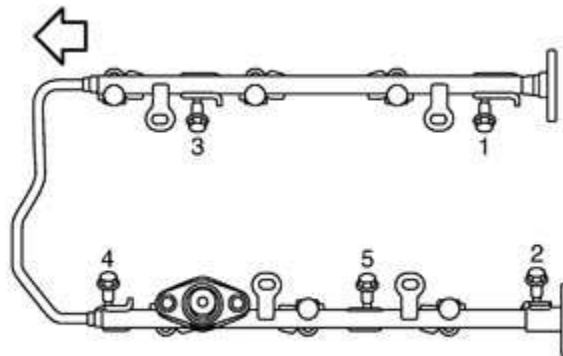
**Mark the parts with paint in advance of the reinstallation to prevent misalignment between the intake manifold collector and intake manifold.**

5. Remove fuel feed hose (with damper) and fuel return hose (with damper) from fuel tube.
6. Remove fuel hose (with pressure regulator), if necessary.

■ CAUTION ■

**Never tilt it, or remaining fuel in pipes may flow out from pipes.**

7. Disconnect fuel injector sub harness from fuel injector.
8. Remove fuel tube and fuel injector assembly.



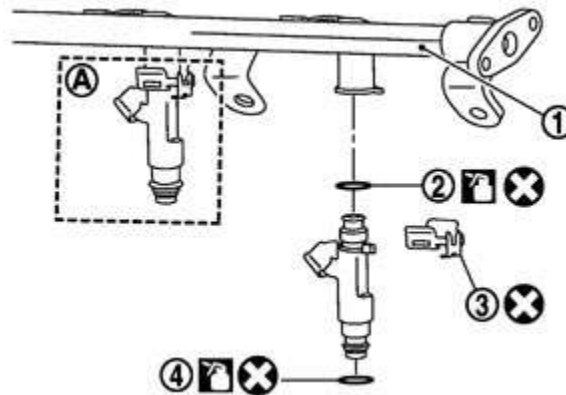
: Engine front

- Loosen mounting bolts in reverse order as shown in the figure.

■ CAUTION ■

**Never tilt it, or remaining fuel in pipes may flow out from pipes.**

9.Remove fuel injector from fuel tube (1) as follows:



2 : O-ring (black)  
4 : O-ring (green)  
A : Installed condition

(1)Open and remove clip (3).

(2)Remove fuel injector from fuel tube by pulling straight.

■ **CAUTION** ■

- **Be careful with remaining fuel that may go out from fuel tube.**
- **Be careful not to damage injector nozzles during removal.**
- **Never bump or drop fuel injector.**
- **Never disassemble fuel injector.**

**At this point you can now watch the installation video for installing our fuel rail kit.**