

Plasma Direct Installation Instructions for MAZDA RX-8

Thank you for your purchase. Please read this instruction carefully to make a proper and safe installation.

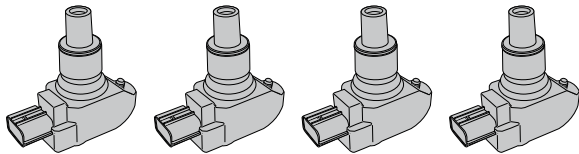
Safety Instructions



1. Installation should be made only on designated vehicles and models.
2. Never modify or dismantle this product.
3. The vehicle should be on a flat surface, with tires blocked to prevent the vehicle from rolling.
4. The engine should be off and completely cooled. Be sure the ignition key is not inserted.
5. The negative terminal from the battery should be disconnected. Note that this may cause the security alarm to activate. Consult the vehicle owner's manual to prevent this from occurring.
6. The engine should be in good operating condition. Any sign of defects should be corrected before installation.
7. Make sure you have adequate ventilation before running the engine.
8. Installation should be performed by a professional mechanic.
9. If the engine performance was previously boosted through modification of the ignition timing or air/fuel ratio, it may require readjustment following installation of the product.
10. If any defects are found in the product, discontinue using it immediately and contact the dealer where you purchased the product or us.

Parts Included

Plasma Direct coils 4P

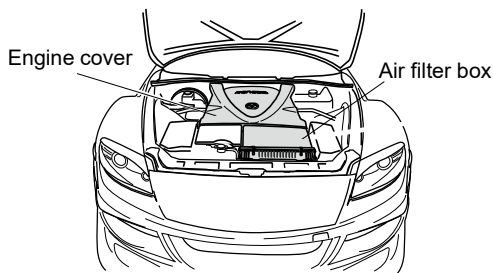


Spacers 4P

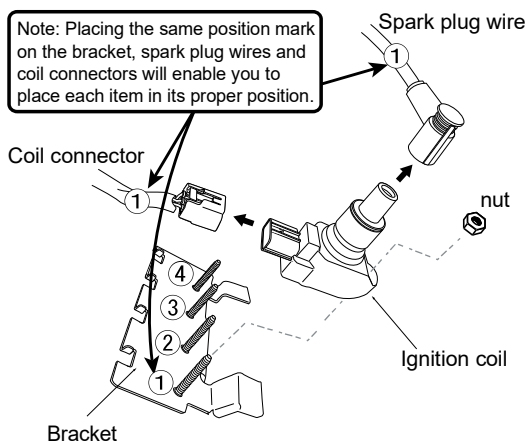


Installation Procedure

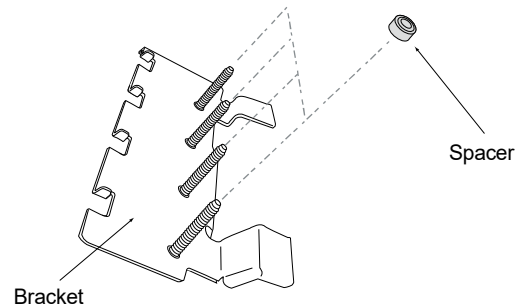
- 1 Disconnect the negative (minus) battery terminal.
Note: It takes approx. 20 minutes to reset the ECU.
- 2 Remove the engine cover, air filter box and etc., to expose the ignition coils, so that you can start the installation of the Plasma Direct coils.



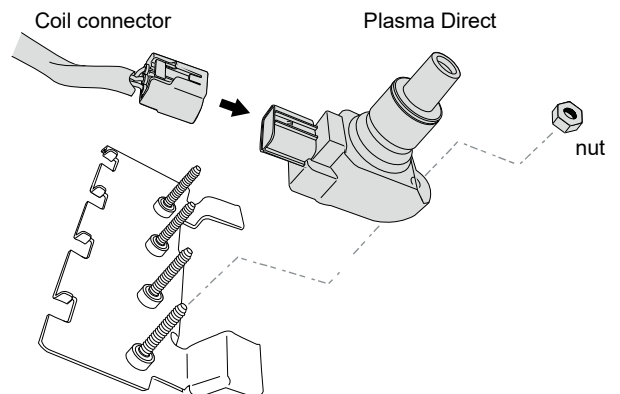
- 3 Remove the ignition coils, spark plug wires and coil connectors from each coil as illustrated below.



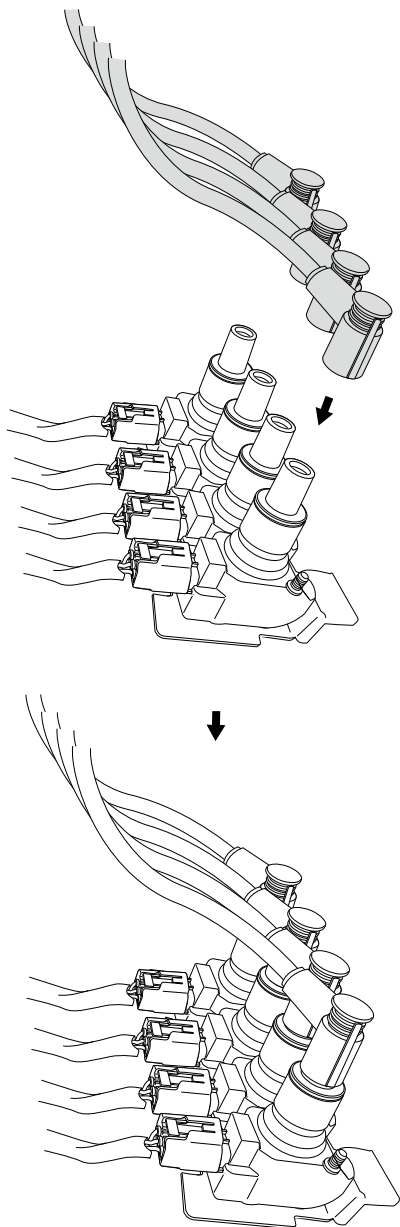
- 4 Attach the included spacers to the bolts on the bracket.



- 5 Connect the coil connectors, and mount the Plasma Directs onto the bracket.



- 6 Install the spark plug wires to the Plasma Directs.



- 7 Mount back properly all the components you removed for the installation.

PD4003001R
MAZDA 2/2



OKADA PROJECTS Inc.
2-3-5 Kitamikata, Takatsu-ku, Kawasaki-shi Kanagawa 213-0005 Japan
www.okadaprojects.com info@okadaprojects.com

All rights reserved. Reproduction in any form without written permission from Okada Projects is prohibited.