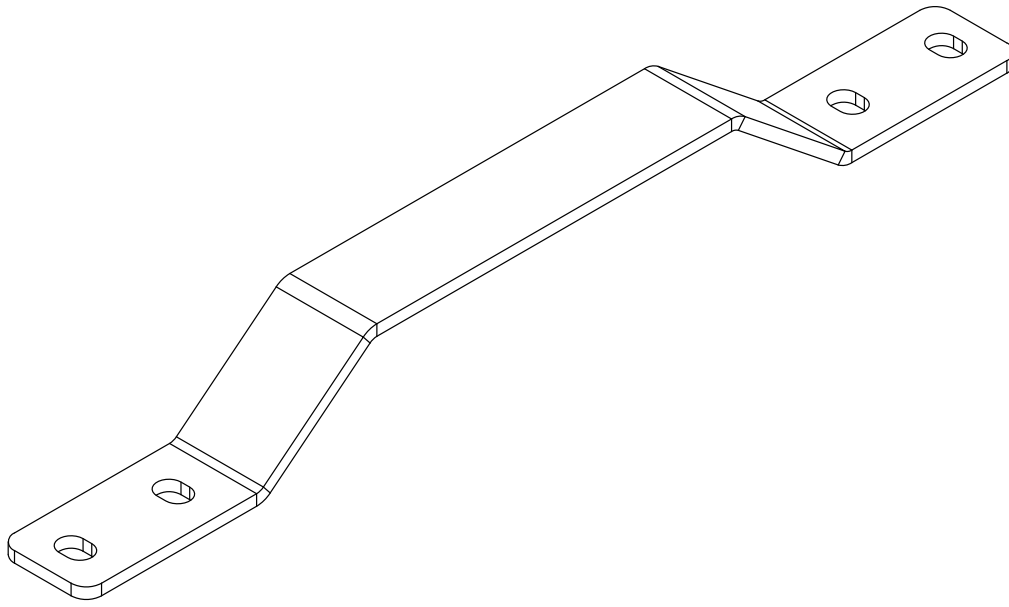


<b>Car</b>	Audi RSQ3 F3	<b>Part No.</b>	SAU112B
<b>Year</b>	2019-Current	<b>Fit Kits</b>	N/A
<b>Notes</b>	Where not supplied use original fittings	<b>Features</b>	N/A

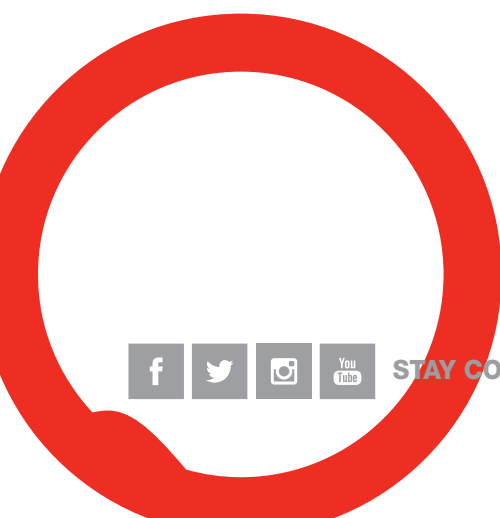
Estimated Fitting Time: 30 Minutes



NO.	PART NO.	DESCRIPTION	QTY
	418FK	Tunnel Brace	1

DATE	20/06/2023
ISSUE	00
AUTHORISED	S Shipley

**NOTE:** ENSURE SCORPION SYSTEM IS CLEAR OF MOVING PARTS AND ALL ORIGINAL FUNCTIONS WORK CORRECTLY.



STAY CONNECTED TO RED POWER.